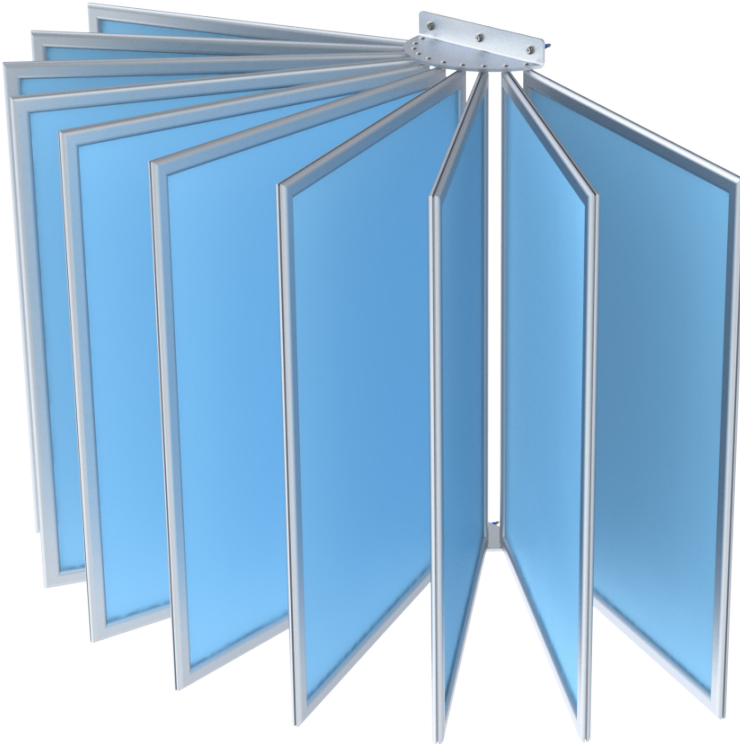
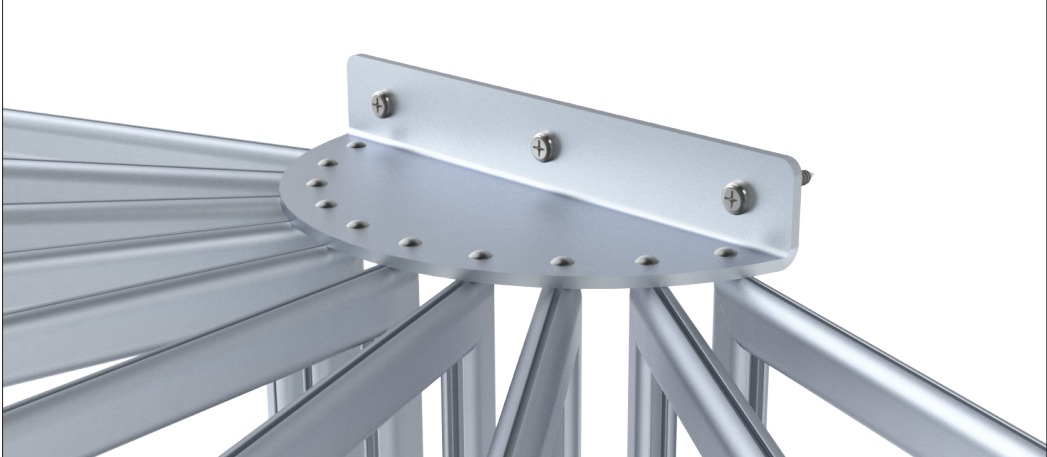
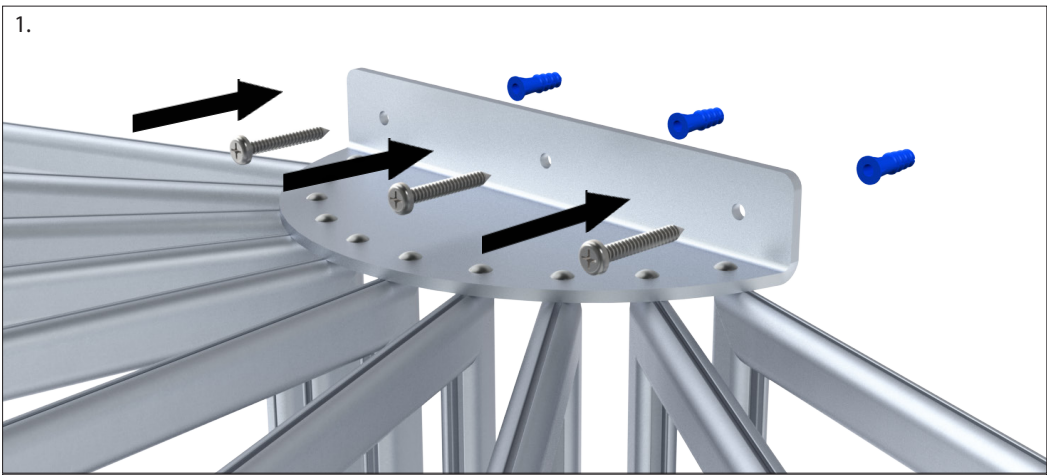


# SwingWing SignFrame™ - WING Series

- 1. Attach the frame assembly to the wall using screws and anchors (not included).
- 2. Insert graphics.



WING01 shown

